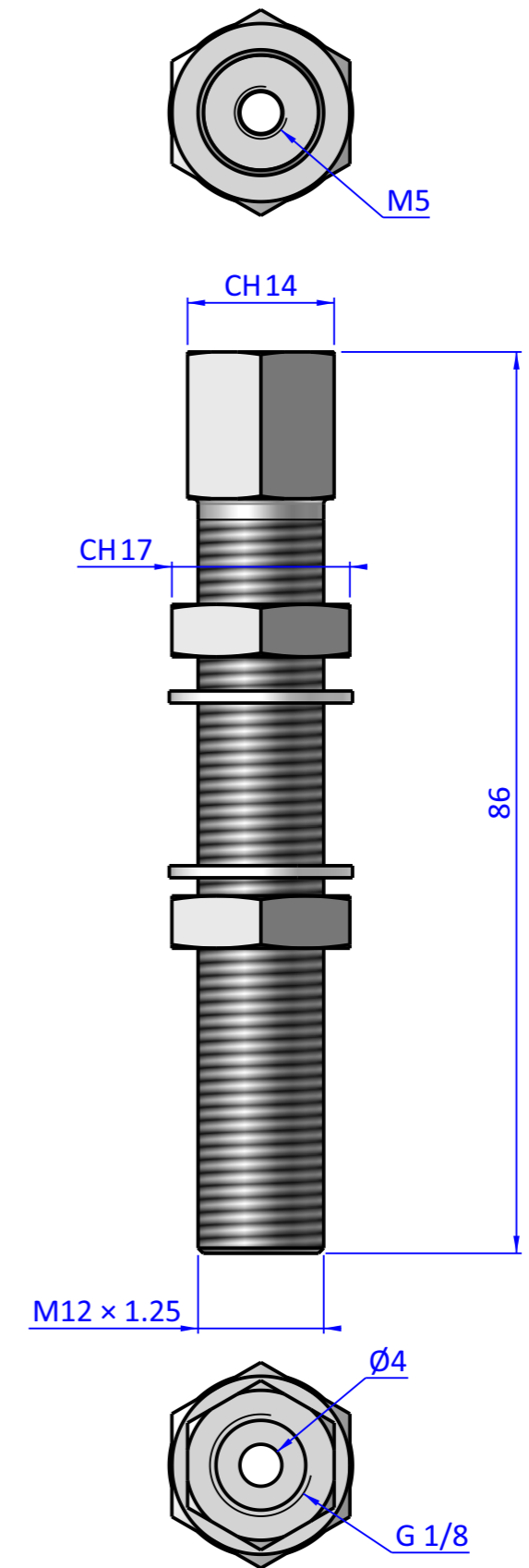
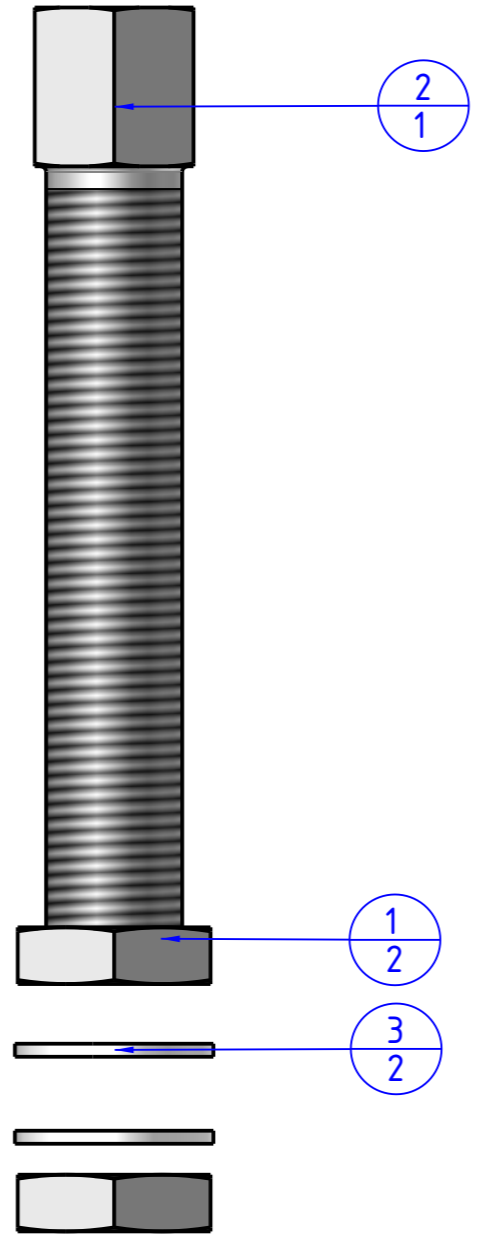

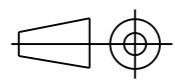


THE PROPERTY OF THE DRAWING IS ESTABLISHED BY LAW. IT IS FORBIDDEN TO PRODUCE OR SHOW IT TO THIRD PART, WITHOUT A WRITTEN AGREEMENT.

Item	Name	Q.ty
1	D.M12X1,25	2
2	05.10.002	1
3	R.12.SCH	2



Format A3
UNI 936-76

 FPS SERVICES AUTOMATION				DESIGNED FROM FPS Automation	REVIEW A
GENERAL TOLERANCE UNI - ISO 2768 CLASSE f	DESCRIPTION CA.05.10.002	DATE 17/11/2023	WEIGHT 0,029kg	CODE CA.05.10.002	